



Etchells Fall Regatta Star Lippincott Memorial Regatta

October 21-22, 2017

Organizing Authority: Annapolis Yacht Club
Annapolis, Maryland, USA

Website: <http://www.annapolisyc.com/racing/regattas>

SAILING INSTRUCTIONS Including Amendment No. 1

The notation '[DP]' in a rule in the sailing instructions (SIs) or notice of race (NoR) means that the penalty for a breach of that rule may, at the discretion of the protest committee, be less than disqualification. The notation '[NP]' in a rule of the SIs or NoR means that a boat may not protest another boat for breaking that rule. This changes RRS 60.1(a).

1 RULES

- 1.1 The regatta will be governed by the rules as defined in The Racing Rules of Sailing (RRS).
- 1.2 The event is a Star Class Sanctioned Red Event (STCR 23.5.7) sailed under Format C (STCR 34.3.7).
- 1.3 This event is an Open Event in accordance with International Etchells Class Rules (ECR) Appendix A, 3A.

2 COMMUNICATIONS WITH COMPETITORS

- 2.1 Notices to competitors will be posted on the official notice board at: <http://bit.ly/ayc-lippincott-onb>.
- 2.2 On the water, the race committee intends to monitor and communicate with competitors via VHF radio on channel 72.

3 CHANGES TO SAILING INSTRUCTIONS

- 3.1 Any change to the SIs will be posted no later than 2 hours before the first scheduled warning signal on the day it will take effect, except that any change to the schedule of races will be posted by 2000 on the day before it will take effect.

4 SIGNALS MADE ASHORE

- 4.1 Signals made ashore will be displayed either from the flagpole at the AYC Junior Sailing Center or from a pole on the boat hoist at the AYC Sailing Center closest to the bridge.
- 4.2 When flag AP is displayed ashore, '1 minute' is replaced with 'not less than 60 minutes' in the race signal AP.

5 SCHEDULE OF RACES

- 5.1 The event schedule will be:

Day	Time	Scheduled Action
Sat, Oct 21	1130	Warning signal for first race of the day (3 races scheduled)
Sun, Oct 22	1100	Warning signal for first race of the day (2 race scheduled)
	1500	No warning signal after this time

- 5.2 A total of 5 races are scheduled.

- 5.3 Races not completed on the scheduled day are rescheduled as the first races on the following day. Races not completed the last day of racing will not be sailed.

- 5.4 A post-race social with gratis food and beer and a cash bar will be held at the AYC 12 Dock Street Clubhouse after racing. The awards party and trophy presentation will take place in the AYC Annex lower parking lot tent following racing. A cash bar will be available.

6 CLASS FLAGS

- 6.1 The class flags will be: for Stars - white flag with the Star class insignia; for Etchells - flag E.

7 RACING AREA

- 7.1 The racing area will be in the Chesapeake Bay off the mouth of the Severn River as shown in SI Attachment 1.
- 7.2 No later than 120 minutes prior to the first scheduled warning signal, the race committee will post the approximate intended location of the starting area on the notice board.
- 7.3 Approximately 60 minutes prior to the first scheduled warning signal, the race committee will announce the approximate location of the starting area on VHF radio.
- 7.4 Approximately 30 minutes prior to the first scheduled warning signal, the race committee will announce location of the race committee signal vessel.

8 THE COURSES

- 8.1 The courses are shown in SI Attachment 2.
- 8.2 No later than the warning signal, the race committee signal vessel will display the course to be sailed, the approximate distance between the leeward and windward marks, and the approximate compass bearing of the first leg of the course.
- 8.3 If the race committee signal vessel displays flag C before the warning signal, accompanied by a

series of repetitive sounds, the first mark of the course is to be a change mark.

9 MARKS

9.1 Starting marks, finishing marks, and mark 1a will be lime green cylinders. All other marks of the course will be orange cylinders. New marks used in accordance with SI 12 will be orange cylinders with a dark colored band.

9.2 A race committee starting or finishing vessel may set a stand-off buoy. When present, this stand-off buoy, the line attaching it to the race committee vessel, and the race committee vessel are all part of the starting or finishing mark.

10 THE START

10.1 Approximately 15 minutes before the warning signal, the race committee will announce the starting order for the first race of the day.

10.2 The starting line will be between the staff or halyard with an orange flag displayed on the race committee signal vessel and the course side of the starting mark.

10.3 *[DP]* Boats whose warning signal has not been made shall avoid the starting area during the starting sequence for other races.

10.4 A boat that does not start within 10 minutes after her starting signal will be scored Did Not Start without a hearing. This changes RRS A4 and A5.

11 RECALLS

The race committee will announce on VHF radio boats identified as OCS, UFD, or BFD. Failure to hear or receive such broadcasts, the timeliness of broadcast or the order in which boats are announced, will not be grounds for redress. This changes RRS 62.1(a).

12 CHANGE OF THE NEXT LEG OF THE COURSE

12.1 To change the next leg of the course, the race committee will lay a new mark (or move the finishing line) and remove the original mark as soon as practicable. When in a subsequent change, a new mark is replaced, it will be replaced by an original mark.

12.2 After a start, if flag C is flown over flag Q, then the course change applies only to boats beginning their final leg to the finish. This changes RRS 33 (Changing the Position of the Next Mark) and RRS Race Signals.

13 THE FINISH

The finishing line will be between a staff or halyard displaying a blue flag on the race committee finishing vessel and the course side of the finishing mark.

14 PENALTY SYSTEM

14.1 Penalties while racing: RRS 44.1, One-Turn and Two-Turns Penalties will apply.

14.2 Penalties after racing: RRS/US Appendix V2, Penalty Taken After the Race, will apply.

15 TIME LIMITS

15.1 If no boat has passed the first mark within 45 minutes after the starting signal, the race will be abandoned.

15.2 In each class, the time limit is 120 minutes.

15.3 Boats failing to finish within 20 minutes after the first boat in her class sails the course and finishes, and not subsequently retiring, penalized or given redress, will be scored Time Limit Expired (TLE) without a hearing. This changes RRS 35, A4, A5 and A11.

16 PROTESTS, REQUESTS FOR REDRESS, SCORING INQUIRIES

16.1 Protest forms are available at annapolisyc.org/racing/protest and at the race office, located in the Sailing Office at the AYC Sailing Center (this may be a temporary trailer during construction). Protests, requests for redress or reopening shall be delivered there within the protest time limit. These may alternatively be delivered by email to raceoffice@annapolisyc.org.

16.2 Scoring inquiry forms are available at annapolisyc.org/racing/protest and at the race office. They can be delivered there or by email to raceoffice@annapolisyc.org. When the race committee receives a scoring inquiry form, it will review its records and respond as soon as practicable.

16.3 The protest time limit is 60 minutes after the race committee signal vessel docks. The race committee will post the protest time limit.

16.4 The race committee will post a list of race committee scoring actions no later than the protest time limit.

16.5 Notices of protests by the race committee or protest committee will be posted to inform boats under RRS 61.1(b).

16.6 As soon as practicable after the protest time limit, the protest committee will post a notice to inform competitors of the schedule and location of hearings in which they are parties or named as witnesses. Hearings will be held at the Sailing Office at the AYC Sailing Center.

17 SCORING

17.1 RRS Appendix A4, Low Point System, will apply.

17.2 One race is required to be completed to constitute a series.

17.3 A boat's series score will be the total of her race scores.

17.4 Boats to be scored TLE will be scored points equal to the number of boats finishing within the finishing window plus two points by the race

committee without a hearing but no worse than the number of entries. This changes RRS A4.2 and A5.

18 SAFETY REGULATIONS

- 18.1 [DP] A boat that retires from a race, or leaves the racing area between races, shall notify the race committee at the first reasonable opportunity.
- 18.2 [NP] [DP] A boat shall not exercise right of way, cross in proximity to, or interfere with reasonable transit of the race area by commercial ships, tugs, or barges. Boats must take evasive action well in advance of a potentially dangerous situation. The US Coast Guard, ship captains, and bay pilots have been encouraged to report any incident they observe.
- 18.3 A boat without way may use any means of propulsion to avoid commercial traffic that is under way provided: (a) the boat does not gain an advantage; (b) use of the propulsion is the boat's only means of avoiding the commercial traffic; and (c) the boat submits a report to the race office (in

writing or by e-mail to raceoffice@annapolisyc.org) by the protest filing deadline describing the incident and the boat's actions.

- 18.4 The race committee or protest committee may protest a boat for SI 18.2 based on information received from any source. The protest time limit does not apply. This changes RRS 60.2, 60.3, and 61.3.

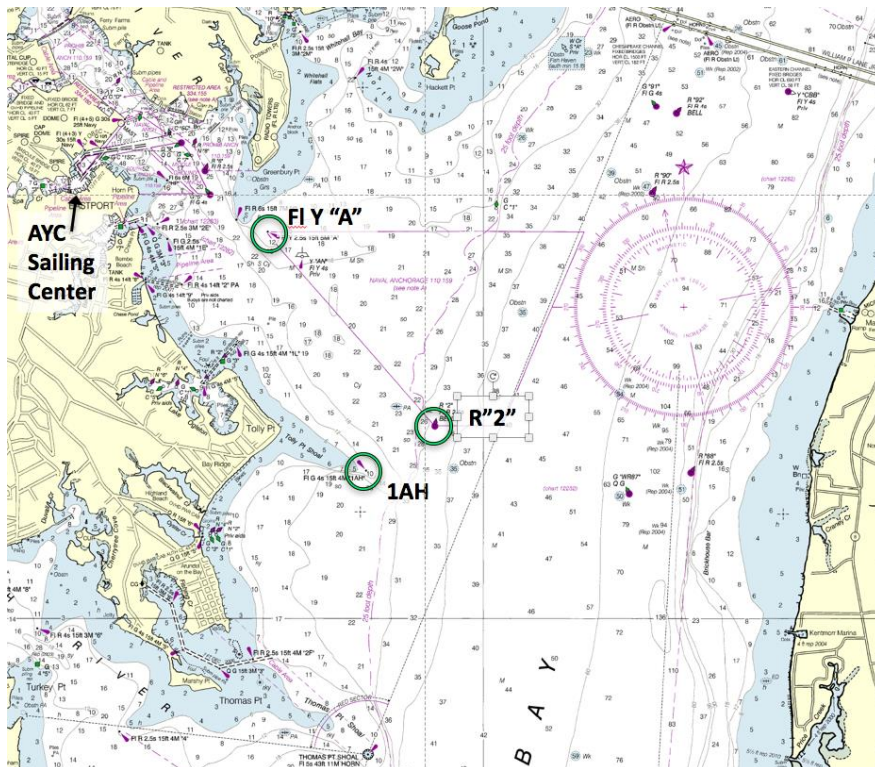
19 PRIZES

- 19.1 Prizes will be given for 1st through 3rd place.
- 19.2 For the Star Class there will be Masters and Novice trophies.

20 DISCLAIMER OF LIABILITY

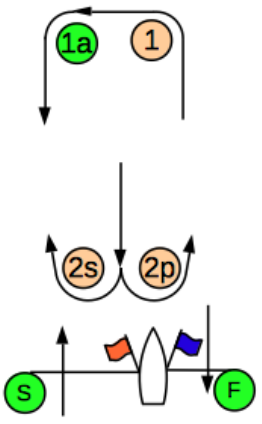
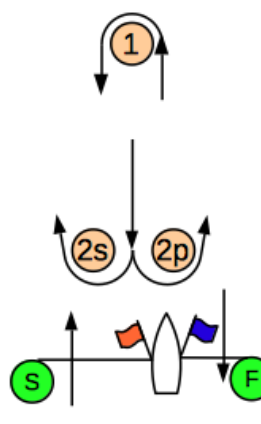
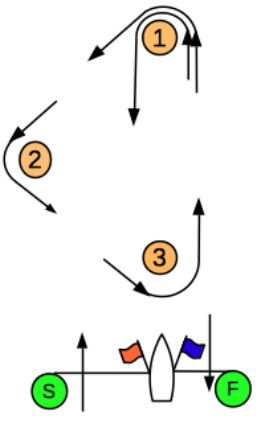
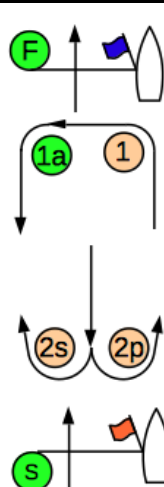
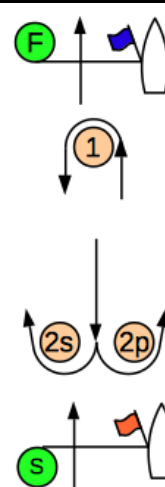
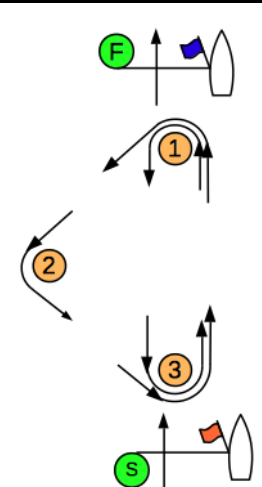
Competitors participate in the regatta entirely at their own risk. See RRS 4, Decision to Race. The organizing authority will not accept any liability for material damage or personal injury or death sustained in conjunction with or prior to, during, or after the regatta.

SI ATTACHMENT 1 - RACE AREA



SI ATTACHMENT 2 - COURSES

In the below table, the course designation is followed by the mark rounding order for that course. All marks except 2S are to be rounded to port. If the race committee displays "NO GATE" near the course designation, then mark 2S will not be set. If there is a conflict between the color or shape of a mark below and SI 9 (Marks), SI 9 will govern.

<div style="font-size: 2em; font-weight: bold; margin-bottom: 10px;">LA</div>  <p style="margin-top: 20px;">LA2: Start-1-1a-2s/2p-1-1a-Finish LA3: Start-1-1a-2s/2p-1-1a-2s/2p-1-1a-Finish</p>	<div style="font-size: 2em; font-weight: bold; margin-bottom: 10px;">L</div>  <p style="margin-top: 20px;">L2: Start-1-2s/2p-1-Finish L3: Start-1-2s/2p-1-2s/2p-1-Finish</p>	<div style="font-size: 2em; font-weight: bold; margin-bottom: 10px;">TL</div>  <p style="margin-top: 20px;">TL2: Start-1-2-3-1-Finish TL3: Start-1-2-3-1-3-1-Finish</p>
<div style="font-size: 2em; font-weight: bold; margin-bottom: 10px;">WA</div>  <p style="margin-top: 20px;">WA2: Start-1-1a-2s/2p-Finish WA3: Start-1-1a-2s/2p-1-1a-2s/2p-Finish WA4: Start-1-1a-2s/2p-1-1a-2s/2p-1-1a-2s/2p-Finish</p>	<div style="font-size: 2em; font-weight: bold; margin-bottom: 10px;">W</div>  <p style="margin-top: 20px;">W2: Start-1-2s/2p-Finish W3: Start-1-2s/2p-1-2s/2p-Finish W4: Start-1-2s/2p-1-2s/2p-1-2s/2p-Finish</p>	<div style="font-size: 2em; font-weight: bold; margin-bottom: 10px;">TW</div>  <p style="margin-top: 20px;">TW2: Start-1-2-3-Finish TW3: Start-1-2-3-1-3-Finish</p>

